



Gilpin County Public Works Department

255 Braecher Park Road
Black Hawk, Colorado 80422
303-582-5004
Fax: 303-582-3291
Email: gcroads@co.gilpin.co.us

Gilpin County Driveway & Road Access Policies

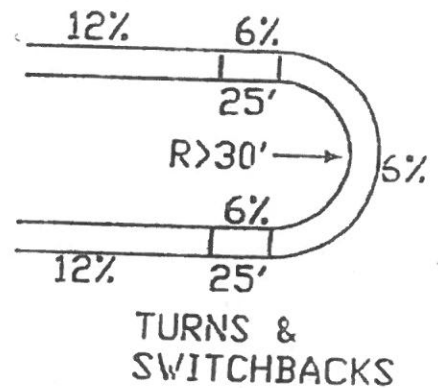
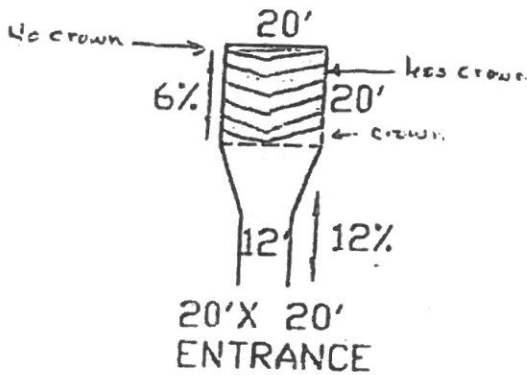
1. Private driveways access County Road right-of-way/easements. No work will be permitted in any County Road right-of-way/easement without a Driveway/Road Access Permit issued by the Gilpin County Public Works Department. This includes culvert repairs or replacement.
2. Culvert acquisition and installation are the responsibility of the property owner.
3. Property owners are responsible for maintenance and cleaning of their own driveway culverts.
4. Driveway culverts shall be a minimum of 18 inches in diameter and a minimum of 24 feet in length. Culverts longer than 28 feet require pre-approval. Culverts shall be of new, 16-gauge galvanized steel.
5. Culverts shall be covered with a compacted material to a depth of not less than one-half the diameter of the culvert.
6. No driveway shall be higher than the road surface at the point where the culvert is installed.
7. No hard surface driveway (asphalt, concrete, etc.) shall extend onto County right-of-way or onto the ditch line without specific written permission from Gilpin County Public Works.
8. *County Driveway/Road Access permits issued by the Public Works Department encompass only the first 20 feet of the driveway from the County road. Any remaining driveway or property improvement must be approved by the Community Development Department.*
9. *Residents should be aware that grading permits are required for earth moving on private property. Contact Community Development at 303-582-5831.*
10. Permit extensions may be granted if requested prior to the expiration date of permit.

For assistance in determining the extent of County road right-of-way call 303-582-5004.

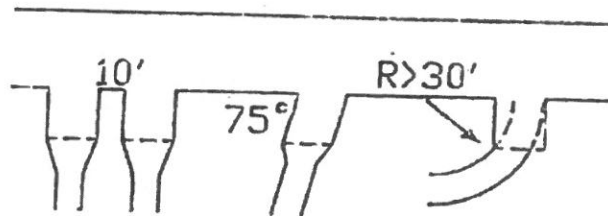
GILPIN COUNTY DRIVEWAY SPECS

MIN WIDTH 12'

MAX SLOPE 12%
(PROFILE)



INTERSECTIONS



DRAINAGE (SECTION)

